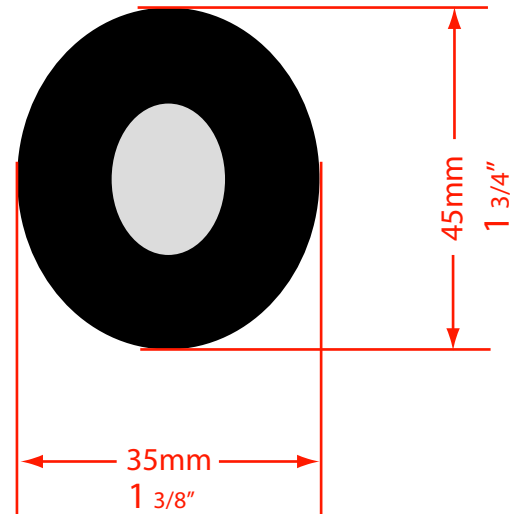




Earpad Specifications Stretched for Maximum Oblong Fit

Part No. E-20
Fits E-100 Style
Headphones

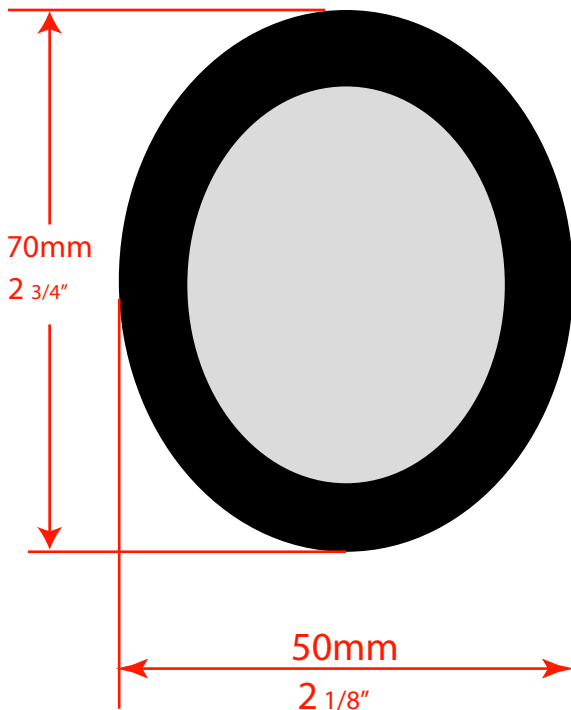


To view the Circular Earpad Sizes, Click Here

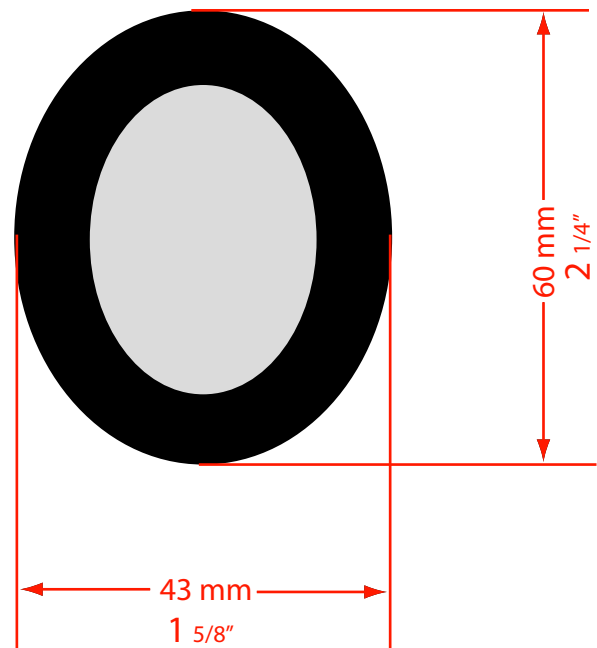
Note: The hole size (inner dimension) is not as important as matching the outer edges. These pictures show relative size and there is some give, so order the one that is closest to your actual earpiece size.

Click Here to go to the Page with All Our Foam Earpads, to place an order.

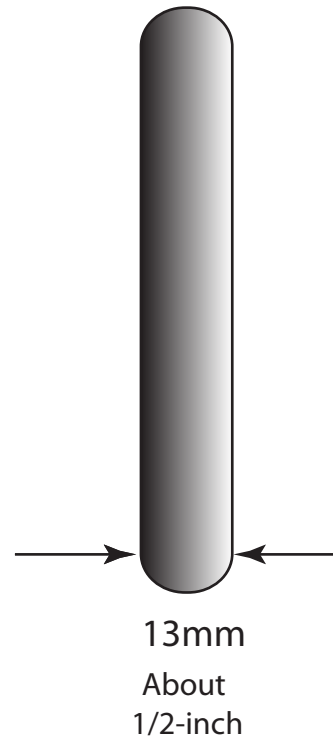
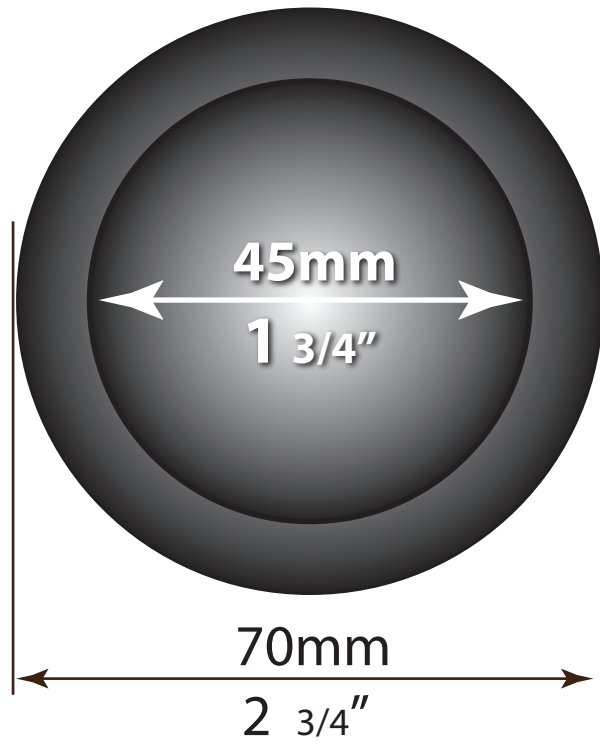
Part No. D-60



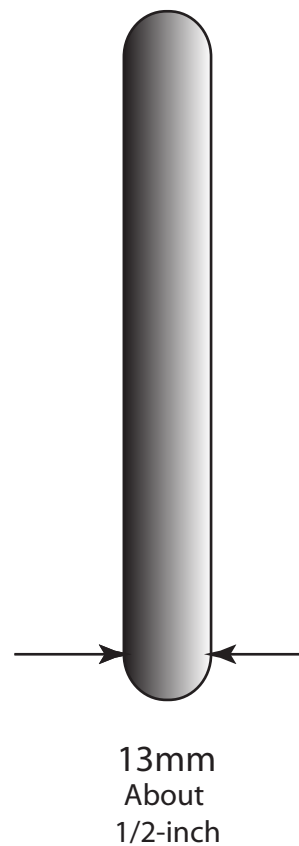
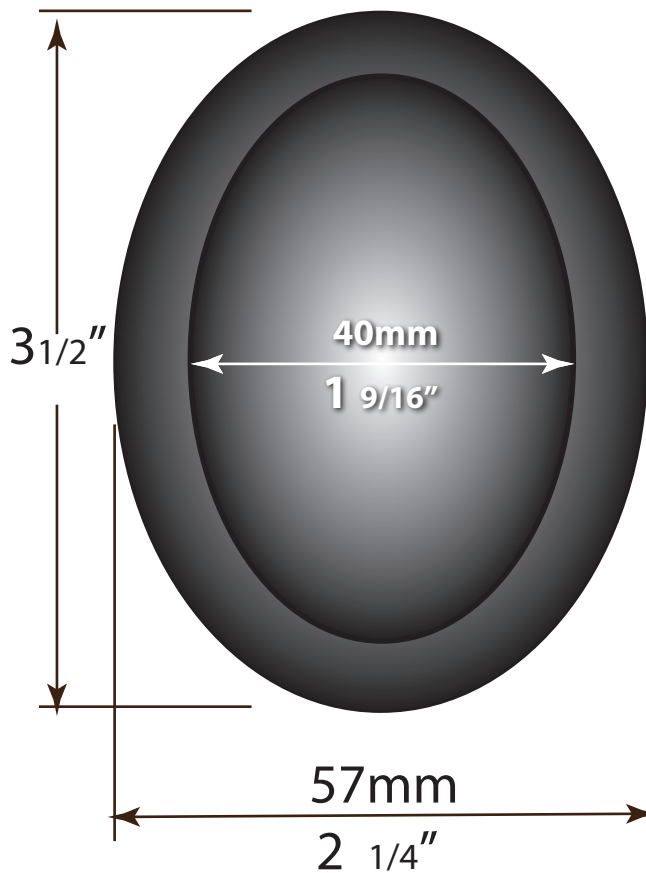
Part No. F-30
Fits F-300 Style
Headphones



L-70 Foam Earpad Specifications



Below are Dimensions When Stretched



Note: The inner dimension is not as important as the outer size.
[Click Here to Order the 70mm Foam Earpads.](#)

← 65mm → ← 2 1/2 inch to 2 3/4 in Stretch →

Part No. 80MM

↑ 80mm ↓



↑ 3 1/4 to 3 7/8 inch Stretch ↓

[Click Here to Order the 80MM Earpads, Part Number 80MM](#)